

1-1825013-0 ✓ ACTIVE



Alcoswitch | Alcoswitch DIP, Alcoswitch Rotary DIP MRD

TE Internal #: 1-1825013-0

Alcoswitch DIP, Rotary Switches, 10 Position, Flush Actuator Style, Rotary Switch Style, Rotary DIP Rotary Switch Type, 10 Switch, Thermoplastic

[View on TE.com >](#)

Relays, Contactors & Switches > Switches > Rotary Switches



Number of Rotary Switch Positions: 10

Actuator Style: Flush

Switch Style: Rotary

Rotary Switch Type: Rotary DIP

Number of Switches: 10

Features

Product Type Features

Product Type	Switch
Illuminated	No
Actuator Style	Flush
Switch Style	Rotary
Rotary Switch Type	Rotary DIP
Sealed Rotary Switch	Yes
Code Type	BC Decimal

Configuration Features

Number of Rotary Switch Positions	10
Number of Switches	10

Electrical Characteristics

Rotary Switch Voltage Rating	20 VAC
------------------------------	--------

Body Features

Actuator Color	Red
----------------	-----

Contact Features

Solder Tail Contact Plating	Gold over Nickel
Rotary Switch Contact Current Rating	.001 A
Rotary Switch Contact Mating Area Plating Material	Gold



Contact Base Material	Copper Alloy
-----------------------	--------------

Termination Features

Termination Style	Outside L
-------------------	-----------

Mechanical Attachment

Rotary Switch Mounting Type	Surface Mount
-----------------------------	---------------

Rotary Switch Mounting Angle	Right Angle
------------------------------	-------------

Housing Features

Centerline	2.54 mm[.1 in]
------------	----------------

Rotary Switch Housing Material	Thermoplastic
--------------------------------	---------------

Usage Conditions

Oil-Tight	No
-----------	----

Industry Standards

UL Flammability Rating	UL 94V-0
------------------------	----------

Packaging Features

Packaging Method	Tape & Reel
------------------	-------------

Product Compliance

[For compliance documentation, visit the product page on TE.com>](#)

EU RoHS Directive 2011/65/EU	Compliant
------------------------------	-----------

EU ELV Directive 2000/53/EC	Compliant
-----------------------------	-----------

China RoHS 2 Directive MIIT Order No 32, 2016	No Restricted Materials Above Threshold
---	---

EU REACH Regulation (EC) No. 1907/2006	Current ECHA Candidate List: JUN 2020 (209) Candidate List Declared Against: JAN 2019 (197) Does not contain REACH SVHC
--	---

Halogen Content	BFR/CFR/PVC Free, but Br/Cl >900 ppm in other sources.
-----------------	--

Solder Process Capability	Reflow solder capable to 260°C
---------------------------	--------------------------------

Product Compliance Disclaimer

This information is provided based on reasonable inquiry of our suppliers and represents our current actual knowledge based on the information they provided. This information is subject to change. The part numbers that TE has identified as EU RoHS compliant have a maximum concentration of 0.1% by weight in homogenous materials for lead, hexavalent chromium, mercury, PBB, PBDE, DBP, BBP, DEHP, DIBP, and 0.01% for cadmium, or qualify for an exemption to these limits as defined in the Annexes of Directive 2011/65/EU (RoHS2). Finished electrical and electronic equipment products will be CE marked as required by Directive 2011/65/EU. Components may not be CE marked. Additionally, the part

numbers that TE has identified as EU ELV compliant have a maximum concentration of 0.1% by weight in homogenous materials for lead, hexavalent chromium, and mercury, and 0.01% for cadmium, or qualify for an exemption to these limits as defined in the Annexes of Directive 2000/53/EC (ELV). Regarding the REACH Regulation, the information TE provides on SVHC in articles for this part number is based on the latest European Chemicals Agency (ECHA) 'Guidance on requirements for substances in articles' posted at this URL: <https://echa.europa.eu/guidance-documents/guidance-on-reach>

Compatible Parts



TE Model / Part # 2-1825013-0
MRD16STR04=7MM ROT DIP, BCD



TE Model / Part # 1-1825013-9
MRD16S04=7MM ROT DIP, BCD



TE Model / Part # 1-1825013-1
MRD1604=7MM ROT DIP, BCD



TE Model / Part # 1-1825013-6
MRD16CSTR04=7MM ROT DIP, BCD
COMP



TE Model / Part # 1-1825013-7
MRD16RA04=7MM R/A ROT DIP, BCD



TE Model / Part # 1825013-1
MRD1004=7MM ROT DIP, BCD



TE Model / Part # 1825013-6
MRD10CSTR04=7MM ROT DIP, BCD
COMP




TE Model / Part # 1825013-9
MRD10S04=7MM ROT DIP, BCD


Also in the Series | Alcoswitch DIP



DIP & SIP Switches(256)




Rotary Switches(34)



Switch Boots & Accessories(1)

Also in the Series | Alcoswitch Rotary DIP MRD



Rotary Switches(9)

Customers Also Bought



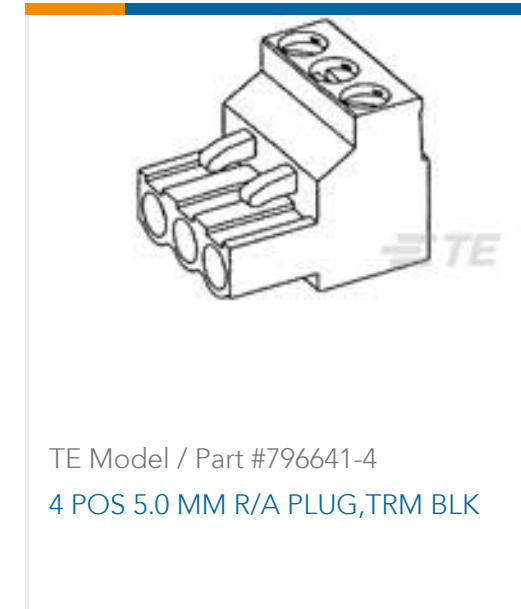
TE Model / Part #2102351-4
CeeLok FAS-T, Recept, Kit, PCB,ZnNi,A



TE Model / Part #2102353-6
CeeLok FAS-T, Plug Kit, ZnNi, B



TE Model / Part #5179160-3
0.8FH,R05H.7,080,08/Sn,TR,SC,PS



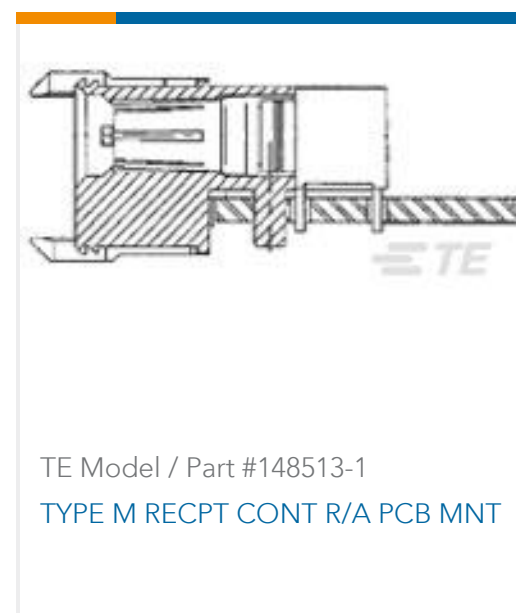
TE Model / Part #796641-4
4 POS 5.0 MM R/A PLUG,TRM BLK



TE Model / Part #2-1622805-9
SIL 8PIN 4RES 22K 5%



TE Model / Part #E62580-000
TAT-125-3/4-0-2.5IN



TE Model / Part #148513-1
TYPE M RECPT CONT R/A PCB MNT



TE Model / Part #749879-5
50 50SR PNL MNT PLUG ASSY



TE Model / Part #DBC54H-16-26PN
HERM RECP



TE Model / Part #629337-000
TAT-125-3/8-0-2IN

Documents

Product Drawings

[MRD10STR04=7MM ROT DIP, BCD](#)

English

CAD Files

[3D PDF](#)

3D

Customer View Model

[ENG_CVM_CVM_1-1825013-0_C.2d_dxf.zip](#)

English

Customer View Model

[ENG_CVM_CVM_1-1825013-0_C.3d_igs.zip](#)

English

Customer View Model

[ENG_CVM_CVM_1-1825013-0_C.3d_stp.zip](#)

English

By downloading the CAD file I accept and agree to the [Terms and Conditions](#) of use.

1-1825013-0

Alcoswitch DIP, Rotary Switches, 10 Position, Flush Actuator Style, Rotary Switch Style,
Rotary DIP Rotary Switch Type, 10 Switch, Thermoplastic



[Datasheets & Catalog Pages](#)

[SWITCHES_CORE_PROGRAM_CATALOG](#)

English